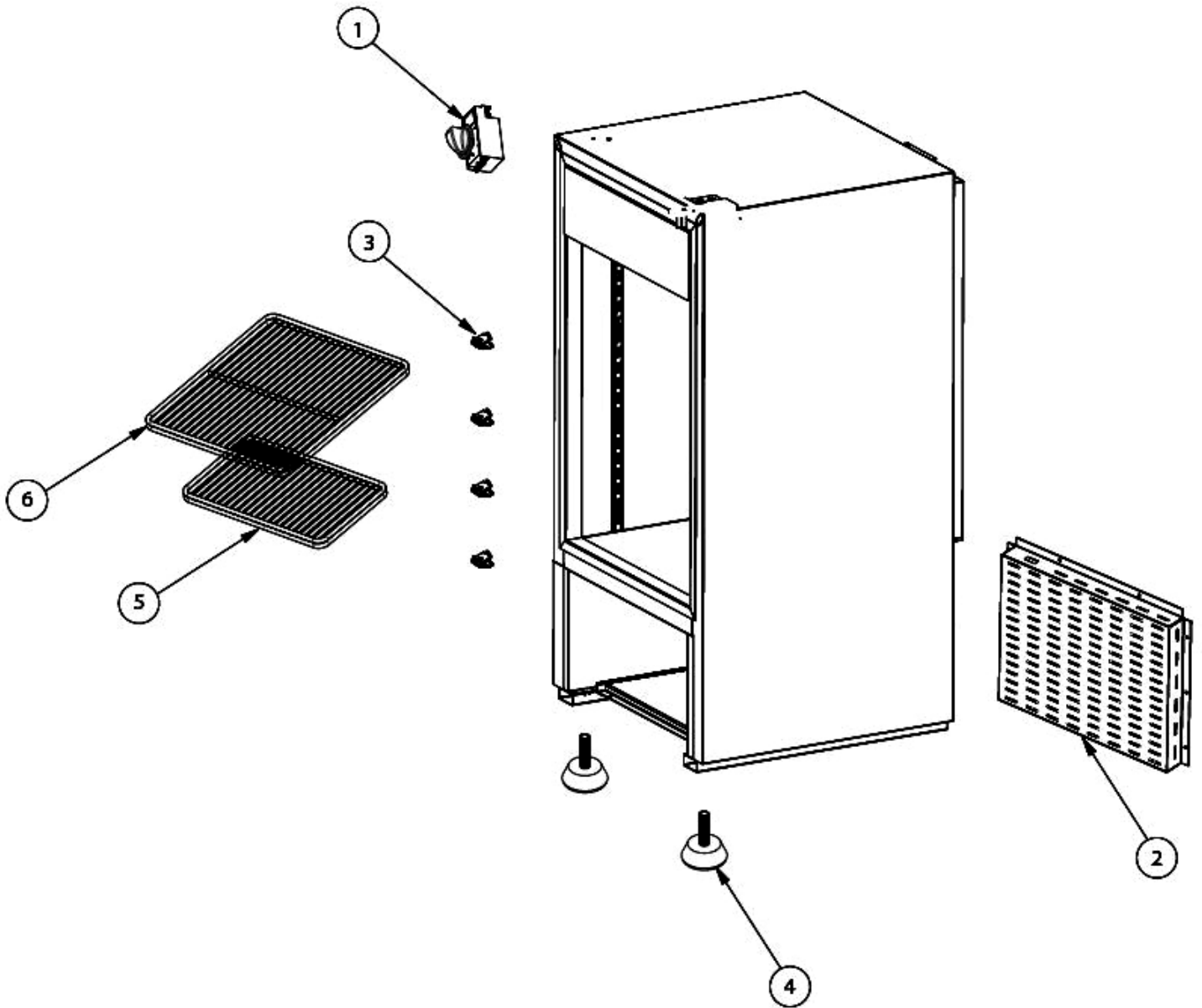


Parts Breakdown

Model VR1.5 45800

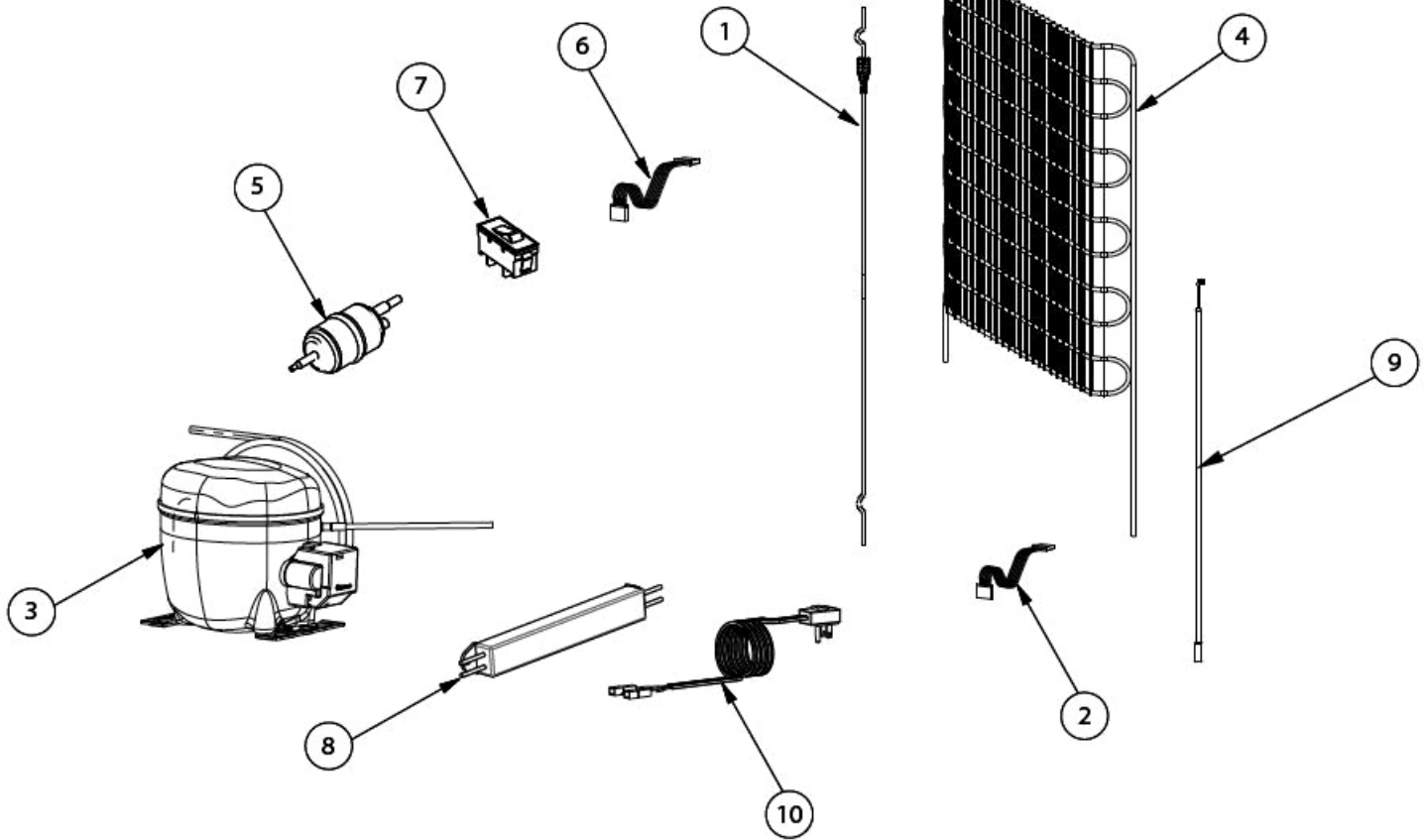
General Assembly



Parts Breakdown

Model VR1.5 45800

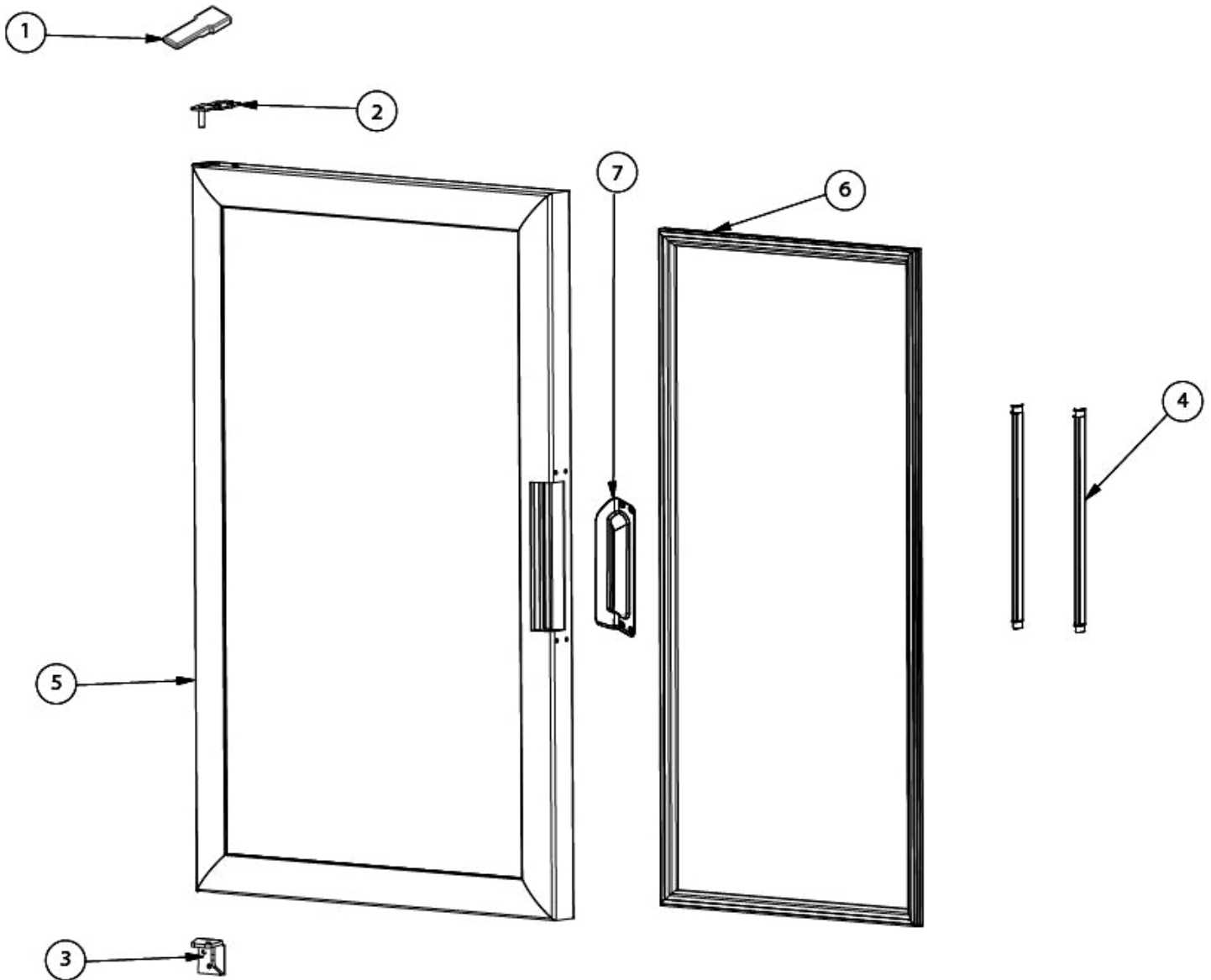
Condenser Assembly



Parts Breakdown

Model VR1.5 45800

Door Assembly





Parts Breakdown

Model VR1.5 45800

General Assembly

Item No.	Description	Position	Item No.	Description	Position	Item No.	Description	Position
66530	Controller, ELE BEV 115V N/SEN for 45800	1	66393	Leveling Screw, 1/2"-13x2" W/PLA UL for 45800	4	66400	Thermometer, Wall MTG, 3017492 for 45800	7
AD623	Grill, Met Unit UL BR for 45800	2	AD624	Shelf, LAR for 45800	5			
66399	Clip, F/Pilaster 16G Polished for 45800	3	AD625	Shelf, SMA for 45800	6			

Condenser Assembly

Item No.	Description	Position	Item No.	Description	Position	Item No.	Description	Position
AD626	Cap Tube, 0.024"x150" N/S for 45800	1	66417	Filter, Drier 0.9 HP DCL for 45800	5	66469	Temp Sensor, ETC1H 1.0M for 45800	9
AD627	Harness, Main UL LED for 45800	2	AD630	Harness, Compressor UL LED for 45800	6	66425	Power Cord, 115V 15A 14AWG for 45800	10
AD628	Compressor SEC TF3.5F 115V 60Hz for 45800	3	66402	Rocker Switch, BK for 45800	7			
AD629	Condenser, STA 11T 3/16 FE for 45800	4	66449	LED Driver, VB-12030D018 30W 115V50/60Hz for 45800	8			

Door Assembly

Item No.	Description	Position	Item No.	Description	Position	Item No.	Description	Position
66480	Hinge Top OPT BL Cover for 45800	1	66455	Module, 6 LEDS 1.2W 12V for 45800	4	66459	Door Handle, PLA STD V7.2 for 45800	7
66434	MET Top Hinge UNI Slope OPT for 45800	2	AD632	Door G J RIG LED SCC BDH for 45800	5			
AD631	Hinge, MET Top RIG SCC for 45800	3	AD633	Door Gasket, Universal 354x675mm for 45800	6			